



**Electrolux**  
PROFESSIONAL

**Modular Cooking Range Line  
700XP Freestanding Electric  
Boiling Pan 60lt indirect heat**

ITEM # \_\_\_\_\_

MODEL # \_\_\_\_\_

NAME # \_\_\_\_\_

SIS # \_\_\_\_\_

AIA # \_\_\_\_\_



371272 (E7BSEHINFO)

\* NOT TRANSLATED \*

**Main Features**

- Kettle is suitable to cook, sauté or poach all kinds of produce.
- Produce is uniformly heated in the base and side walls of the kettle by an indirect heating system that uses integrally generated saturated steam at a temperature of 110° C in the jacket.
- Pressed cooking vessel and lid in 316 AISI Stainless steel.
- Unit to feature high efficiency heating elements (9.4 kW) with energy control and temperature limiter.
- External valve allows to manually evacuate excess air accumulated in the jacket during heating phase.
- Appliance is IPX4 water resistance certified.
- Solenoid valve to refill with hot and cold water.
- Safety valve avoids overpressure of the steam in the jacket.
- No overshooting of cooking temperatures, fast reaction.
- Large capacity drain tap enables precise portioning of the discharged food, especially small quantities.
- Firmly fitting cover to reduce cooking time and save energy costs.
- Ergonomic: unique ratio vessel diameter and height; depth facilitates stirring and gentle food handling.
- Discharge tube and tap are very easy to clean from outside.
- Smooth large surfaces, easy access for cleaning.
- Pressure switch control monitors energy and water consumption.
- Exterior panels in Stainless Steel with Scotch Brite finish.
- One piece pressed 1.5 mm work top in Stainless steel.
- Model has right-angled side edges to allow flush fitting joints between units, eliminating gaps and possible dirt traps.
- Unit delivered with four 50 mm legs in stainless steel as standard (all round Stainless steel kick plates as option).

**Construction**

- One piece pressed 1.5 mm work top in Stainless steel.
- IPX4 water resistance certification.
- [NOT TRANSLATED]

**Sustainability**



- Closed heating system – no waste of energy.
- Firmly fitting cover to reduce cooking time and save energy costs.
- Pressure switch control monitors energy and water consumption.

**Optional Accessories**

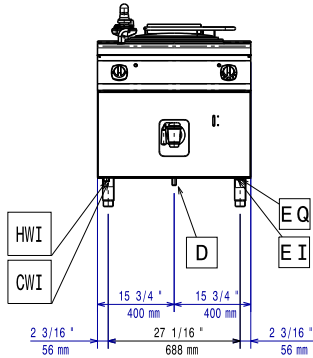
- Junction sealing kit PNC 206086

APPROVAL: \_\_\_\_\_

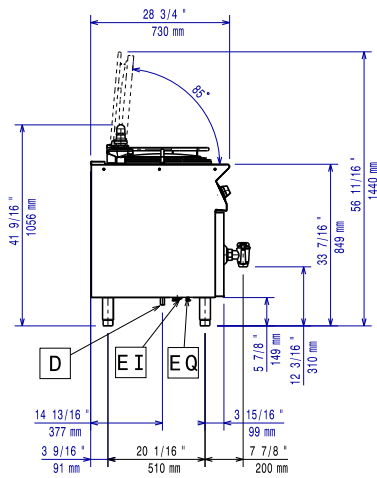


Experience the Excellence  
www.electroluxprofessional.com

Front

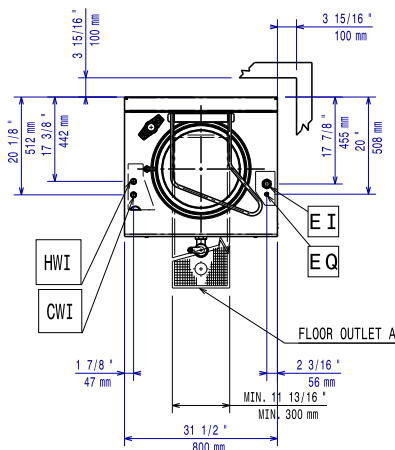


Side



- CWI = Cold Water inlet 1 (cleaning)
- D = Drain
- EI = Electrical inlet (power)
- HWI = Hot water inlet

Top



## Electric

### Supply voltage:

371272 (E7BSEHINF0) 400 V/3N ph/50/60 Hz

### Total Watts:

9.4 kW

### Predisposed for:

380-400V 3N- 50/60Hz  
8,5-9,4kW

## Water:

### Water drain outlet size:

1 1/2"

## Key Information:

### Pan useful capacity:

60 lt

### Vessel (round) diameter:

420 mm

### Net weight:

100 kg

### Shipping weight:

88 kg

### Shipping height:

1140 mm

### Shipping width:

900 mm

### Shipping depth:

920 mm

### Shipping volume:

0.94 m<sup>3</sup>

No clearance needed on rear sides of unit if wall is of non combustible type. If wall is combustible, minimum 50 mm wall clearance should be maintained.

### Certification group:

N7PE